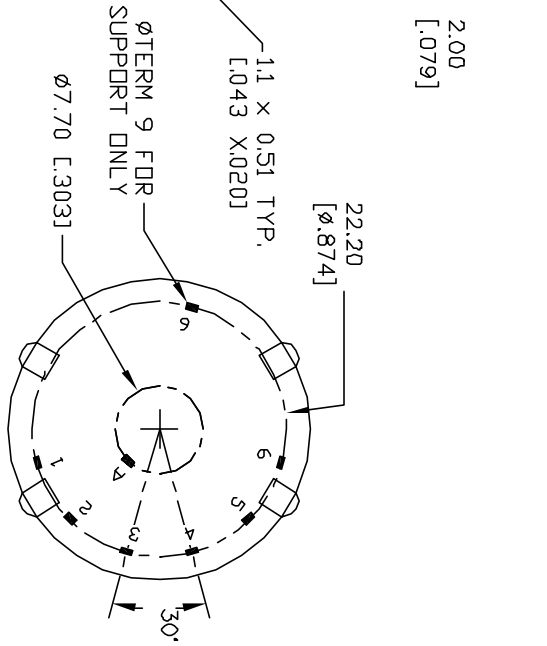
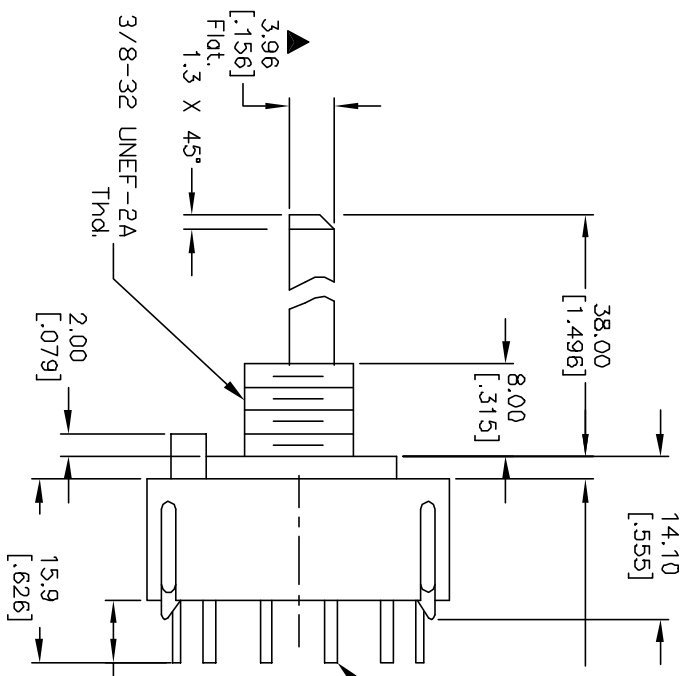
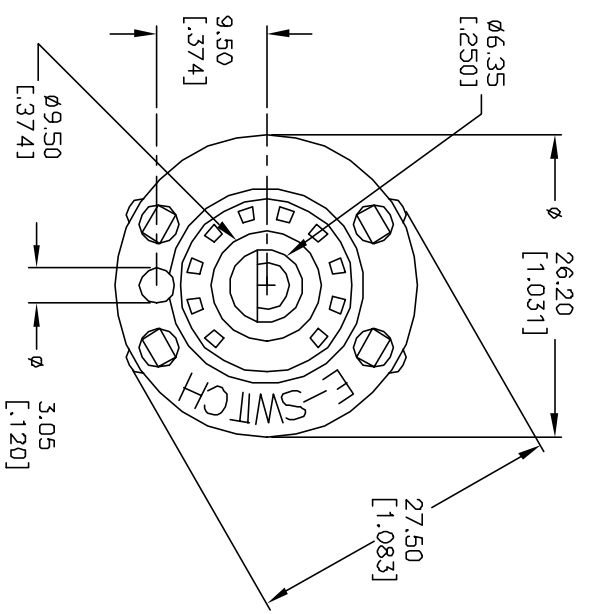
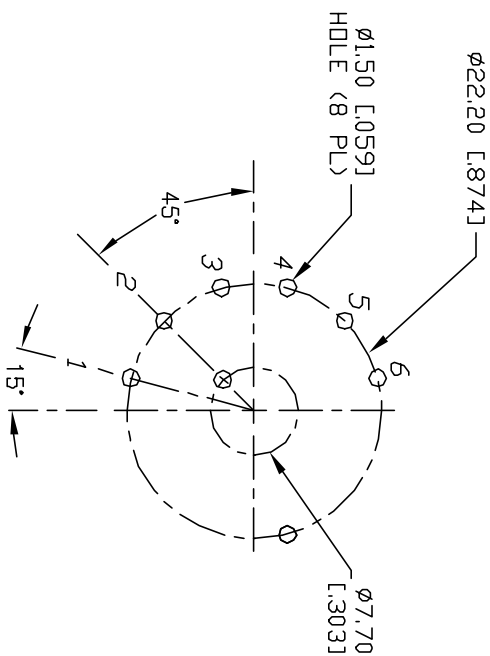
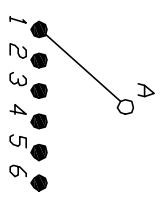


- NOTES:
1. ALL DIMENSION IN MM [INCH]
  2. GENERAL TOLERANCE: X.X=±0.4  
X.XXX=±0.25
  3. TERM. NOS. FOR REF. ONLY
  4. CONTACT RATING SWITCHING: 150mA, 250V AC/DC  
350mA, 110V AC/DC
  5. OPERATING FORCE: 425±100 CM/STANDARD
  6. OPERATING TEMP: -30° to 85°C
  7. CIRCUIT SP: 6 POSITIONS, 30° INDEX.
  8. DESIGNATE MAJOR DIMENSIONS
  9. LOCK NUT AND WASHER NOT SHOWN.



**E-SWITCH®**

REV. A		11515		RELEASED FOR PRODUCTION		5/29/01		CJB	
REV.		ECN No.		DESCRIPTION		DATE		CHKD	
THE INFORMATION CONTAINED IN THIS DOCUMENT IS PROPRIETARY TO E-SWITCH AND IS NOT TO BE COPIED OR TRANSFERRED									
TITLE		KC-16-C-01 (Simpson 06-115485)							
SCALE		1.5:1							
DATE		5/29/01							
DR		CJB							
DWG		G510703							
REV		A							